

## Low Leakage Diodes in SOT-23, SOD-323, SOD-523 and SOT-563 packages



SOT-23



SOD-323



SOD-523



SOT-563

### features →



- Low Leakage: 1.0nA max.
- $V_{RRM}$ : 200 Volts
- Available in four space saving SMD packages

### description →

Designed for the most demanding applications where extended battery life is essential, the Central Semiconductor Low Leakage High Voltage series of switching diodes meet the specifications design engineers require. With a maximum  $V_{RRM}$  of 200 volts and a maximum leakage current of 1.0nA, these EED (energy efficient devices) are ideal for portable electronics including; Notebook PCs, PDAs, MP3 Players, Modems, etc.

Sample devices  
are available  
upon request.

### selection guide



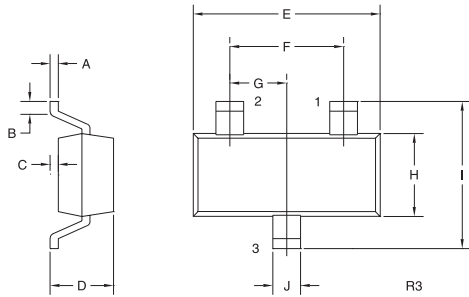
### Low Leakage Diodes

TYPE NO.	DESCRIPTION	PINOUT (TOP VIEW)	$V_{RRM}$ (V) MAX	$I_F$ (mA) MAX	$I_R$ (nA) MAX	@	$V_R$ (V)	$V_F$ (V) MAX	@	$I_F$ (mA)	$C_T$ (pF) MAX	CASE SIZE
CMPD3003	Single Diode in a SOT-23		200	600	1.0		125	1.1		200	4.0	SOT-23
CMPD3003A	Dual, Common Anode Diodes in a SOT-23		200	600	1.0		125	1.1		200	4.0	
CMPD3003C	Dual, Common Cathode Diodes in a SOT-23		200	600	1.0		125	1.1		200	4.0	
CMPD3003S	Dual, In Series Diodes in a SOT-23		200	600	1.0		125	1.1		200	4.0	
CMDD3003	Single Diode in a SOD-323		200	600	1.0		125	1.1		200	4.0	SOD-323
CMOD3003	Single Diode in a SOD-523		200	600	1.0		125	1.1		200	4.0	SOD-523
CMLD3003DO	Dual, Opposing Diodes in a SOT-563		200	600	1.0		125	1.1		200	4.0	SOT-563

# Low Leakage Diodes in SOT-23, SOD-323, SOD-523 and SOT-563 packages

## Mechanical Specifications

**SOT-23**



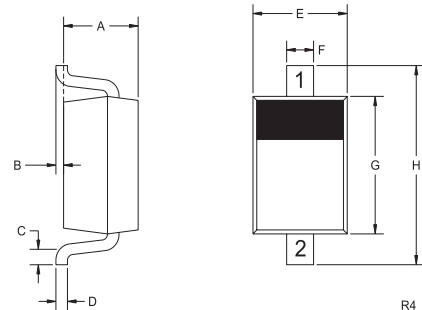
SYMBOL	INCHES		MILLIMETERS	
	MIN	MAX	MIN	MAX
A	0.003	0.007	0.08	0.18
B	0.006	-	0.15	-
C	-	0.005	-	0.13
D	0.035	0.043	0.89	1.09
E	0.110	0.120	2.80	3.05
F	0.075		1.90	
G	0.037		0.95	
H	0.047	0.055	1.19	1.40
I	0.083	0.098	2.10	2.49
J	0.014	0.020	0.35	0.50

SOT-23 (REV: R3)

**MARKING CODE**

**CMPD3003: LLO**  
**CMPD3003A: LLA**  
**CMPD3003C: LLC**  
**CMPD3003S: LLS**

**SOD-323**



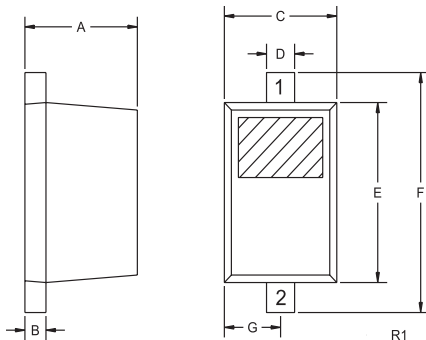
SYMBOL	INCHES		MILLIMETERS	
	MIN	MAX	MIN	MAX
A	0.031	0.039	0.80	1.00
B	0.000	0.004	0.00	0.10
C	0.008	-	0.20	-
D	0.004	0.007	0.11	0.19
E	0.045	0.053	1.15	1.35
F	-	0.014	-	0.35
G	0.063	0.071	1.60	1.80
H	0.094	0.102	2.40	2.60

SOD-323 (REV: R4)

**MARKING CODE**

**CMDD3003: 03C**

**SOD-523**



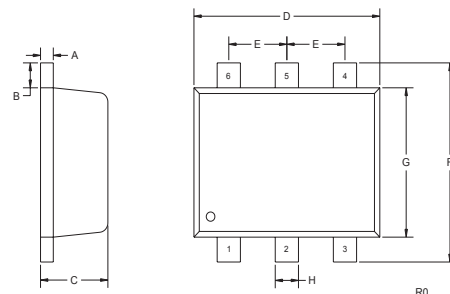
SYMBOL	INCHES		MILLIMETERS	
	MIN	MAX	MIN	MAX
A	0.020	0.031	0.50	0.80
B	0.004	0.008	0.10	0.20
C	0.028	0.035	0.70	0.90
D	0.008	0.011	0.20	0.28
E	0.039	0.055	1.00	1.40
F	0.055	0.071	1.40	1.80
G	0.016		0.40	

SOD-523 (REV: R1)

**MARKING CODE**

**CMOD3003: 3C**

**SOT-563**



SYMBOL	INCHES		MILLIMETERS	
	MIN	MAX	MIN	MAX
A	0.004	0.007	0.10	0.18
B	0.008		0.20	
C	0.022	0.024	0.56	0.60
D	0.059	0.067	1.50	1.70
E	0.020		0.50	
F	0.061	0.067	1.55	1.70
G	0.047		1.20	
H	0.006	0.012	0.15	0.30

SOT-563 (REV: R0)

**MARKING CODE**

**CMLD3003DO: C30**

**Central**<sup>TM</sup>  
Semiconductor Corp.

**Innovations in Discrete Semiconductors**

145 Adams Avenue • Hauppauge • New York • 11788 • USA • Tel:(631) 435-1110 • Fax:(631) 435-1824

For complete package details, please visit:  
[www.centalsemi.com/package/details](http://www.centalsemi.com/package/details)

For further information contact:  
 Sales at Central Semiconductor Corp.  
 (631) 435-1110 or visit our website at:  
[www.centalsemi.com](http://www.centalsemi.com)